

CellOptik 24V dc

The CellOptik 24V is a dusk to dawn switch designed to switch on lighting systems in back or front lit signs at night. Its compact size means that it can be fitted in signs with limited space and uses long life relay contacts.

Applications

- Back lit signs
- Signal indicators
- Lighting
- Solar installations

Features

- Compact size (see diagram below)
- Long life contacts made from Silver Oxide
- Defaults to lighting switched on
- RoHS Compliant

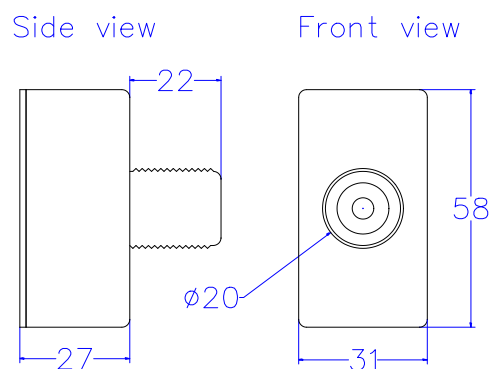


Specifications

	Minimum	Typical	Maximum	Unit
Control load	100	*****	5000*	ma
Operating voltage	20	24	27	Volts dc
Standby power off	11	13	16	ma
Standby power	1.5	2.5	3.3	ma
Switch On level	40	50	60	Lux
Switch Off level	70	80	90	Lux
Time delay	4.5	5	5.5	Seconds
Operating Temperature	-25	20	+60	°C
Ingress rating (installed)	*****	65	*****	IP
Storage Temperature	-40	*****	+80	°C
Mounting tread	*****	M20	*****	mm

* Resistive Load. Inductive control loads should be de-rated to 1 amp to optimise operational life.

Out Line Dimensions



Dimensions in mm