

CellOptik 300A

The CellOptik 300A is a dusk to dawn switch designed to switch on lighting systems at night. Its compact size means that it can be fitted in areas with limited space and uses long life relay contacts.

Applications

- Back lit signs
- Signal indicators
- Security Lighting

Features

- Compact size (see diagram below)
- Long life contacts Silver-Tin-Oxide
- RoHS Compliant

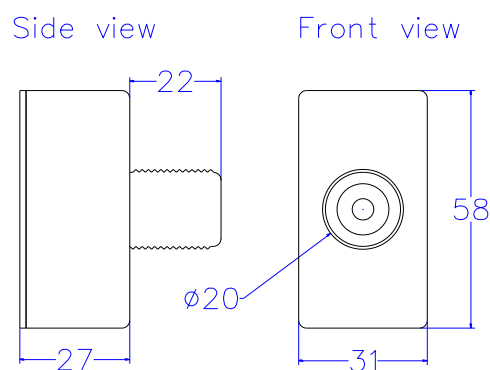


Specifications

	Minimum	Typical	Maximum	Unit
Control load	1	250	300	Watts
Operating voltage	100	110	150	Volts ac
Operating frequency	*****	50-60	*****	Hertz
Standby power	0.8	0.9	1.0	Watts
Switch On level	40	50	60	Lux
Switch Off level	70	80	90	Lux
Time delay	4.5	5	5.5	Seconds
Operating Temperature	-25	20	+60	°C
Ingress rating (installed)	*****	65*	*****	IP
Storage Temperature	-40	*****	+80	°C
Mounting tread	*****	M20	*****	mm

* when installed.

Out Line Dimensions



Dimensions in mm

Conversion (20=¾" 27=1" 31=1¼" 58=2")